



DTI

Dragan Technologies Inc.

www.dticanada.com

TERRA W2

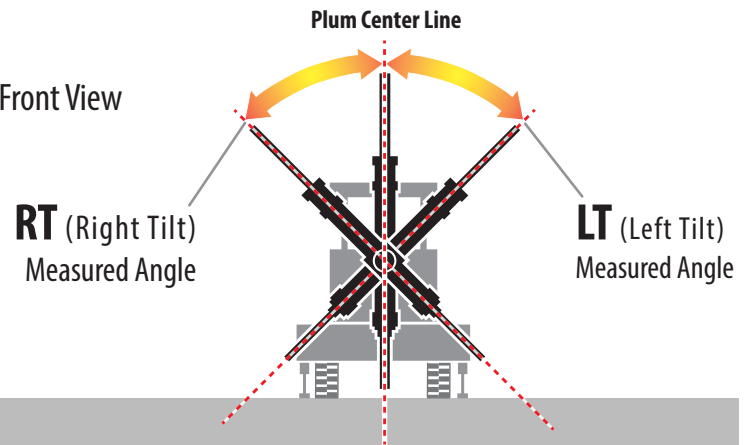
Angle Detection System

The **TERRA W2 Angle Detection System** is designed to aid in drilling accurate blast hole patterns for mining.

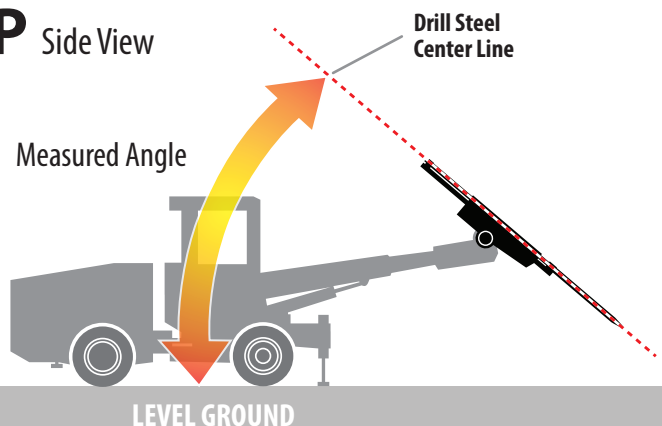
- The **TERRA W2 Angle Detection System** monitors difficult compound **Ring** and **Dump** angles.
- The **TERRA W2 Angle Detection System** indicates the angle of the drill steel in relation to the horizontal and vertical bubble level of the Drill centerline.
- Hole data saved to system.
- Lessens the need for alignment markers.
- Real-time angle reference.
- Easily intergrates into drill's existing system.



RING Front View



DUMP Side View



For more information on DTI products
visit our website or contact us below:

www.dticanada.com

info@dticanada.com

41 Omands Creek Boulevard,
Winnipeg, Manitoba, Canada R2R 2V2
ph. 204 775 2445